

# HM-701ZJ-G01-SHIELD

## Sun Shield



Compatible with the following products: G series.

This sun shield clips onto the HIKMICRO G Series thermal imaging camera and blocks excess sunlight to reduce lens flare and glare. It increases the visibility of the LCD, making it easier to view the screen in bright outdoor conditions.

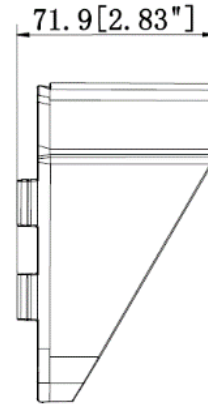
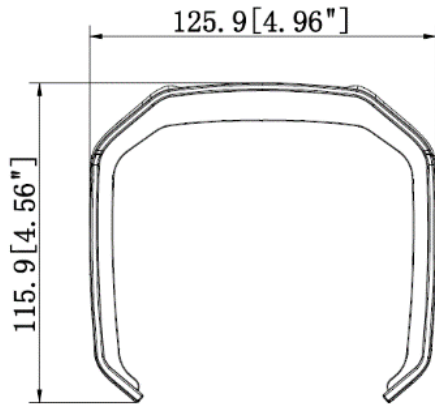
### Specification

General	
Working Temperature Range	-20°C to 50°C (-4°F to 122 °F)
Storage Temperature Range	-20°C to 50°C (-4°F to 122 °F)
Relative Humidity	< 95 %, non-condensing
Material	PC + ABS
Dimension	125.9 mm × 115.9 mm × 71.9 mm (4.9" × 4.5" × 2.8")
Weight	54 g

### Available Model

**HM-701ZJ-G01-SHIELD**

## Dimension



Unit: mm [Inch]

COMPLIANCE NOTICE: The thermal series products might be subject to export controls in various countries or regions, including without limitation, the United States, European Union, United Kingdom and/or other member countries of the Wassenaar Arrangement. Please consult your professional legal or compliance expert or local government authorities for any necessary export license requirements if you intend to transfer, export, re-export the thermal series products between different countries.



 HIKMICRO Thermography  hikmicro\_thermography  HIKMICRO Thermography  HIKMICRO  [info@hikmicrotech.com](mailto:info@hikmicrotech.com)  <http://hikmicrotech.com/en>

room 313, unit B, building 2, 399 danfeng road, xixing subdistrict, binjiang district, hangzhou, zhejiang  
@hangzhou microimage software co., Ltd .2020 | data subject to change without notice!