



FALCON FQ50

Thermal Monocular



HIKMICRO FALCON FQ50 handheld thermal monocular camera is equipped with a 640 × 512 infrared detector and a 1024 × 768 OLED display. It supports functions of observation, hotspot, and so on. The high-sensitivity built-in thermal detector provides you with clear view even in total darkness. The monocular is mainly applied to scenarios such as searching and rescuing, hiking, travel, and hunting, etc.

Key Features

- 640 × 512 resolution with 12 μ m sensor
- High sensitivity thermal module NETD < 20 mK (@25 $^{\circ}$ C, F# = 1.0)
- Super large aperture F0.9
- Replaceable and rechargeable Li-ion battery
- Up to 5 hours continuous operation
- Leading thermal image processing technology: Image Pro
- 1024 × 768 resolution 0.39-inch OLED display

Specification

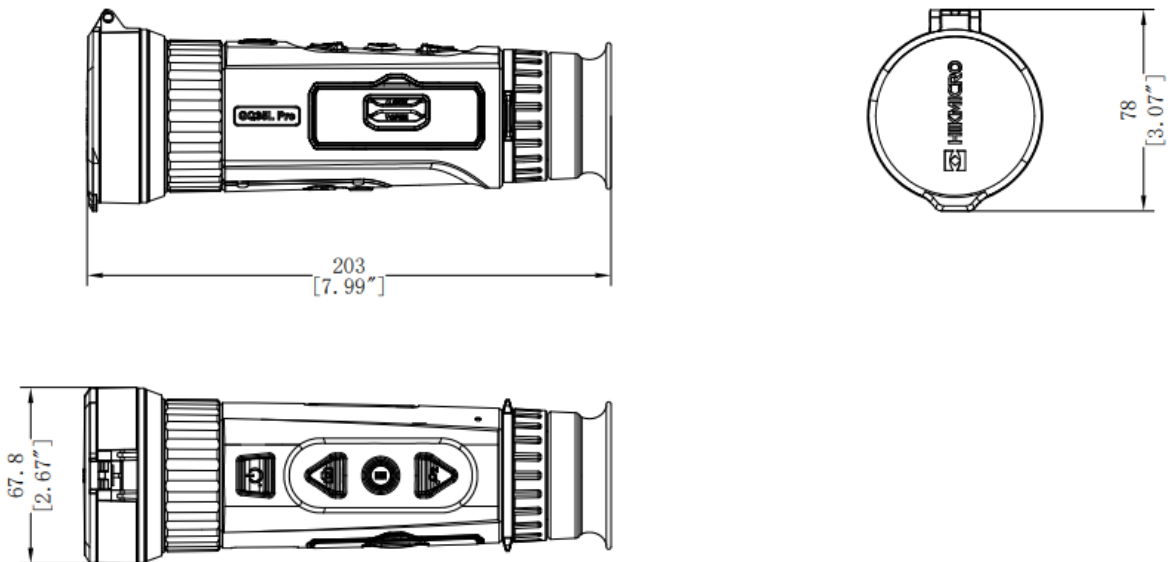
| THERMAL MODULE | |
|---|---|
| IMAGE SENSOR | V0x Uncooled Focal Plane Arrays |
| RESOLUTION | 640 × 512 |
| FRAME RATE | 50 Hz |
| PIXEL INTERVAL | 12 μm |
| RESPONSE WAVEBAND | 8 μm to 14 μm |
| NETD | Less than 20 mK (@25°C), F# = 1.0 |
| FOCAL LENGTH | 50 mm |
| APERTURE | F0.9 |
| MIN. FOCUSING DISTANCE | 5.0 m |
| DIGITAL ZOOM | 1×, 2×, 4×, 8× |
| OPTICAL MAGNIFICATION | 2.6 |
| FIELD OF VIEW(H × V), DEGREES/M @100 M | 8.75° × 7°/15.3m × 12.2 m |
| DETECTION RANGE | 2600 m |
| IMAGE DISPLAY | |
| MONITOR | 0.39 inch, OLED, 1024 × 768 |
| PALETTES | Black Hot, White Hot, Red Hot, Fusion |
| FFC (FLAT FIELD CORRECTION) MODE | Auto, Manual, External Correction |
| SYSTEM | |
| STORAGE | Built-in memory module (64 GB) |
| RECORD VIDEO | Yes |
| CAPTURE SNAPSHOT | Yes |
| STANDBY MODE | Yes |
| HOTSPOT | Yes |
| HOT TRACK | Yes |
| POWER SUPPLY | |
| POWER | 5 V, 1.95 W |
| BATTERY TYPE | Replaceable and Rechargeable Li-ion Battery |
| BATTERY OPERATING TIME | 5 hours continuous running with CVBS and hotspot function off (@25°C) |
| GENERAL | |

| | |
|---------------------------|--|
| WORK TEMPERATURE/HUMIDITY | From -30°C to 55°C (-22°F to 131°F); Humidity: 90% or Less |
| PROTECTION LEVEL | IP67 |
| DIMENSION | 203 mm × 78 mm × 67.8 mm (7.99" × 3.07" × 2.67") |
| WEIGHT | 636 g (1.40 lb) |

Available Model

HM-TS46-50XG/W-FQ50

Dimension



Unit: mm [Inch]

Accessories



Quick Start Guide
(x1)



Non-dust Cloth (x1)



USB Cable (x1)



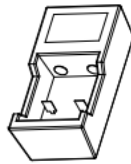
Protective Bag (x1)



Wrist Strap (x1)



Carrying case (x1)



Charger (x1)



Cell (x2)



Neck Straps (x1)

COMPLIANCE NOTICE: The thermal series products might be subject to export controls in various countries or regions, including without limitation, the United States, European Union, United Kingdom and/or other member countries of the Wassenaar Arrangement. Please consult your professional legal or compliance expert or local government authorities for any necessary export license requirements if you intend to transfer, export, re-export the thermal series products between different countries.



HIKMICRO Outdoor hikmicro_outdoor HIKMICRO Outdoor HIKMICRO info@hikmicrotech.com <http://hikmicrotech.com/en>

room 313, unit B, building 2, 399 danfeng road, xixing subdistrict, binjiang district, hangzhou, zhejiang
@hangzhou microimage software co., Ltd .2020 | data subject to change without notice!